

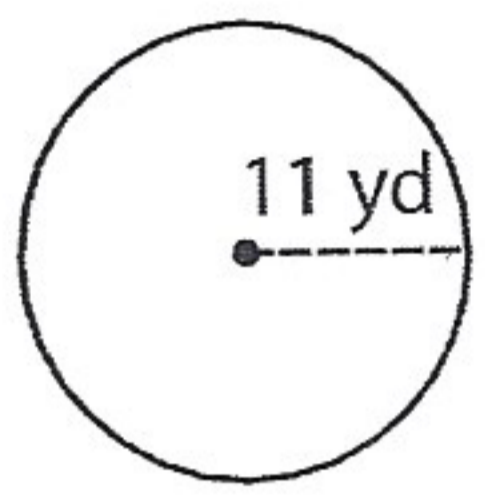
Name: \_\_\_\_\_

## Area - Mixed Shapes

Both sides

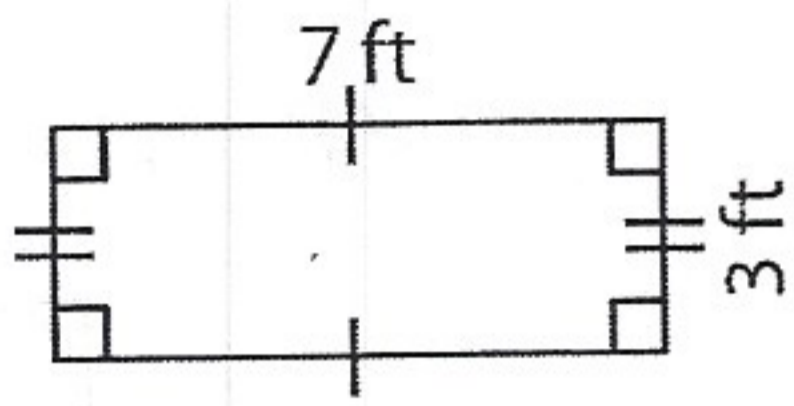
Find the area of each shape. (Use  $\pi = 3.14$ )

1)



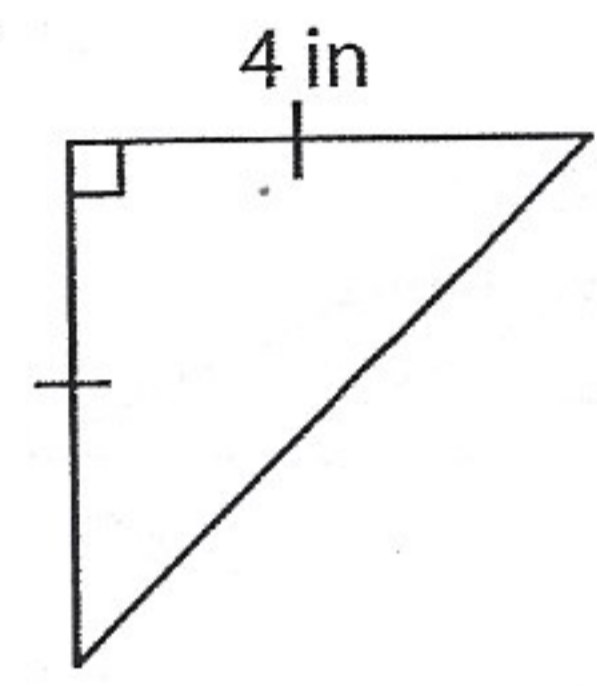
Area = \_\_\_\_\_

2)



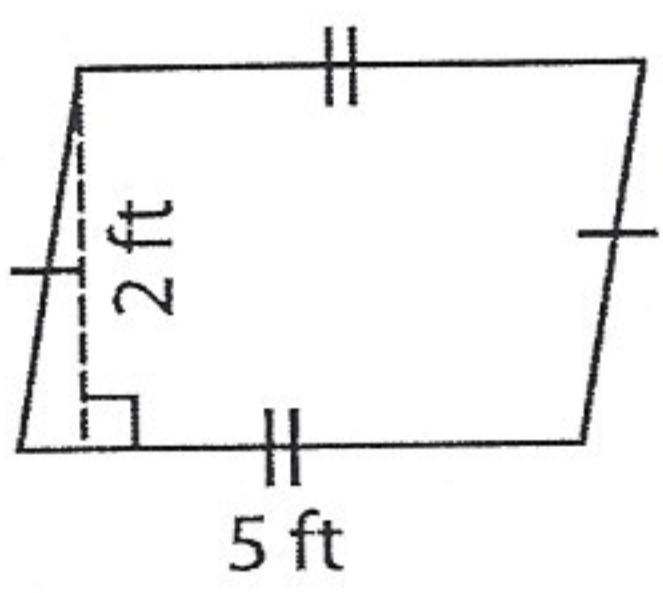
Area = \_\_\_\_\_

3)



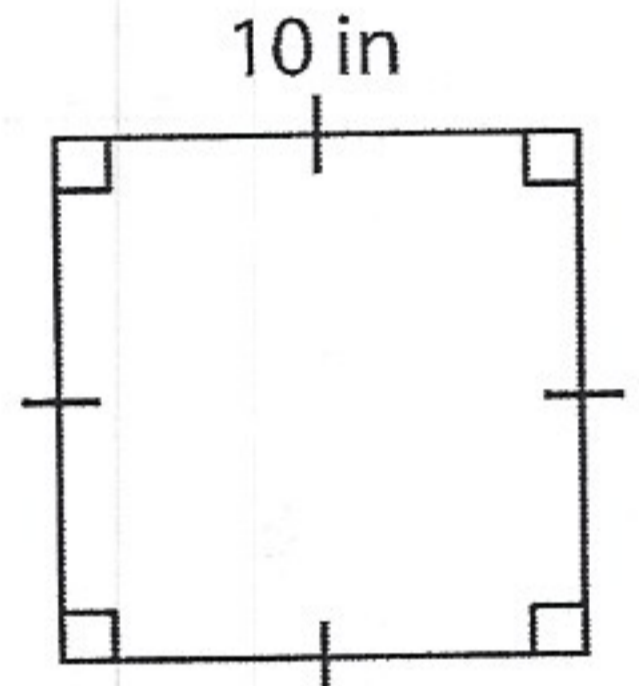
Area = \_\_\_\_\_

4)



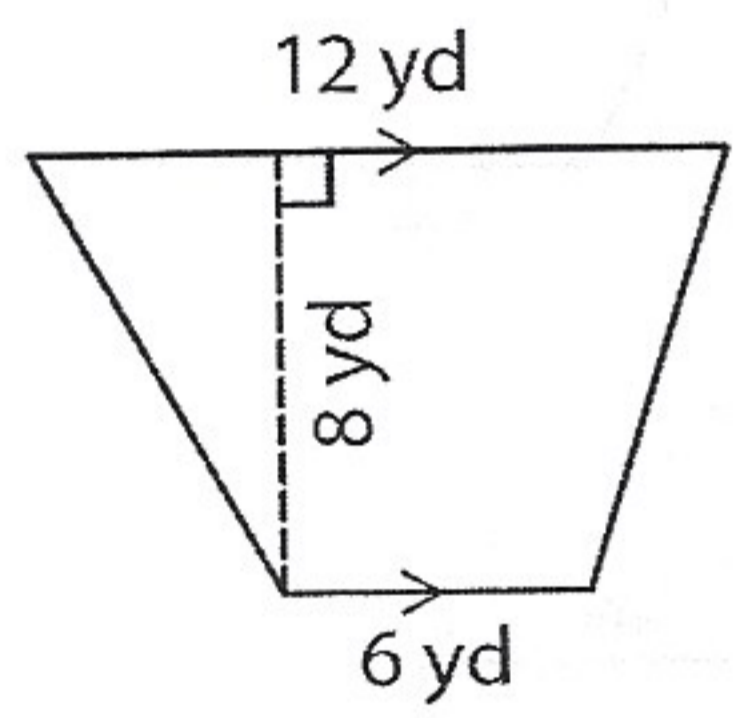
Area = \_\_\_\_\_

5)



Area = \_\_\_\_\_

6)



Area = \_\_\_\_\_

7) If the side of a square measures 23 feet, determine the area of the square.

\_\_\_\_\_

8) A rectangle is 20 inches long and 13 inches wide. Find the area of the rectangle.

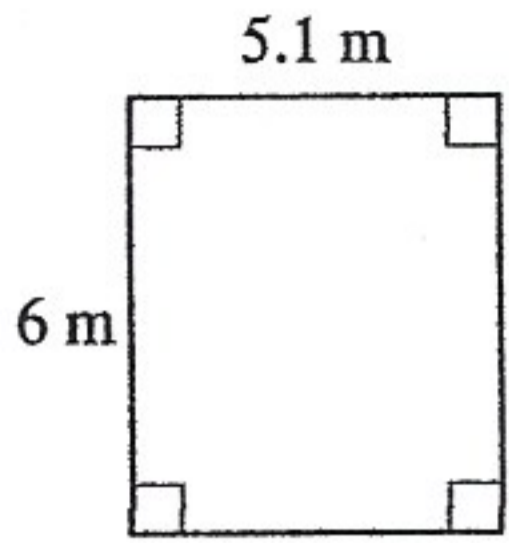


# Area of Triangles and Quadrilaterals

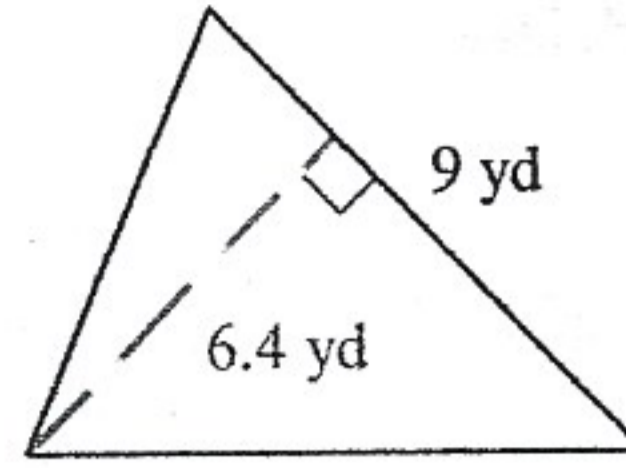
Both sides

Find the area of each.

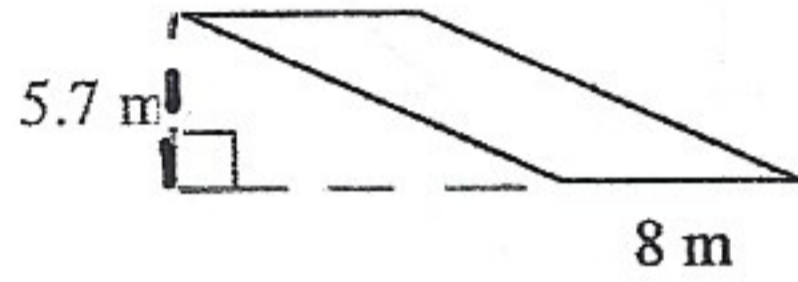
1)



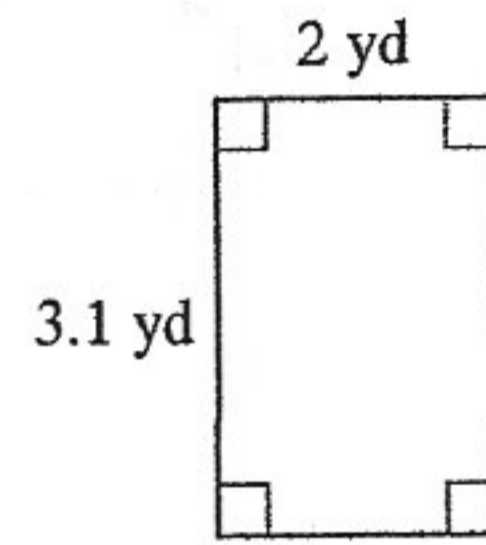
2)



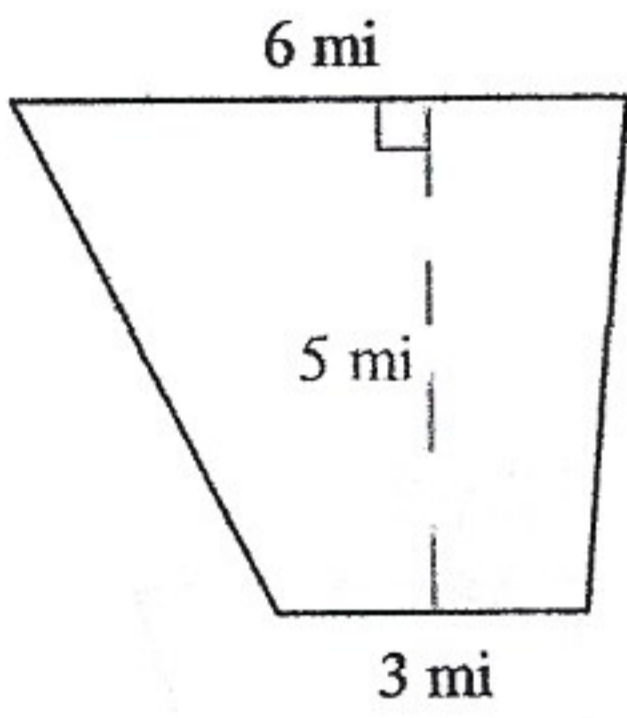
3)



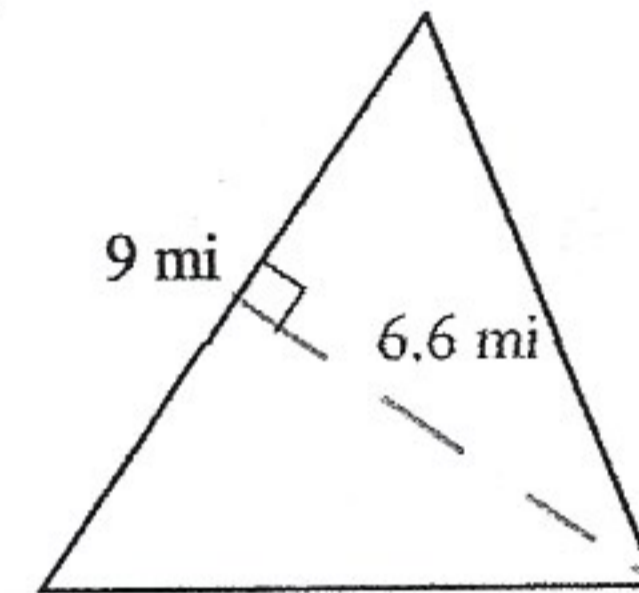
4)



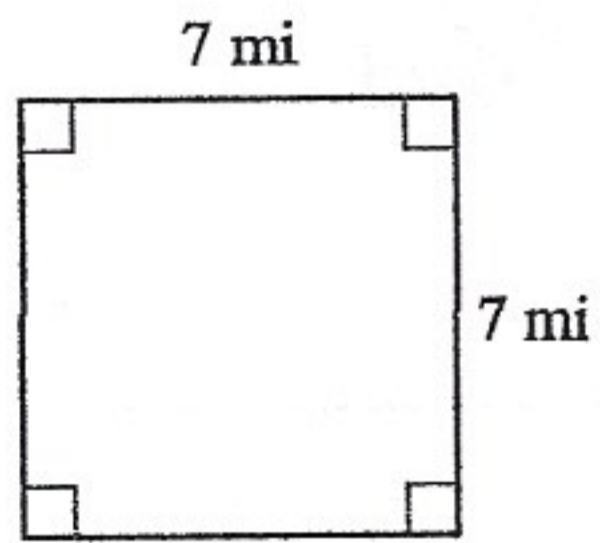
5)



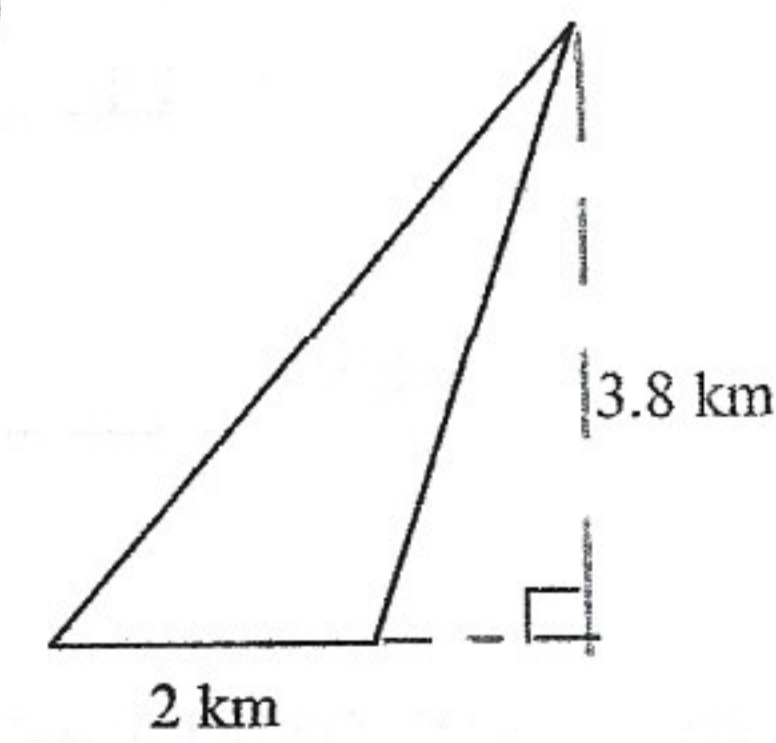
6)



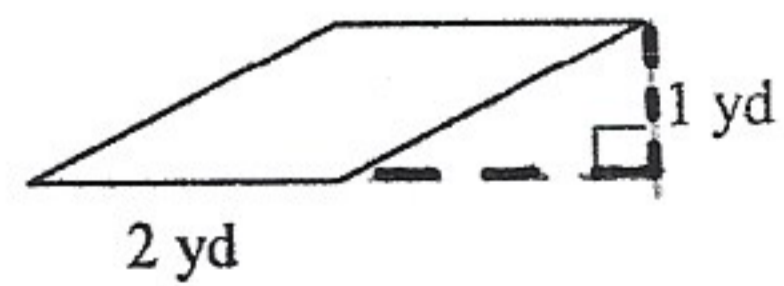
7)



8)



9)



10)

